



**TECHNICAL DATA SHEET: LE2TA200-RO  
FULL MOTION TV WALL MOUNT**

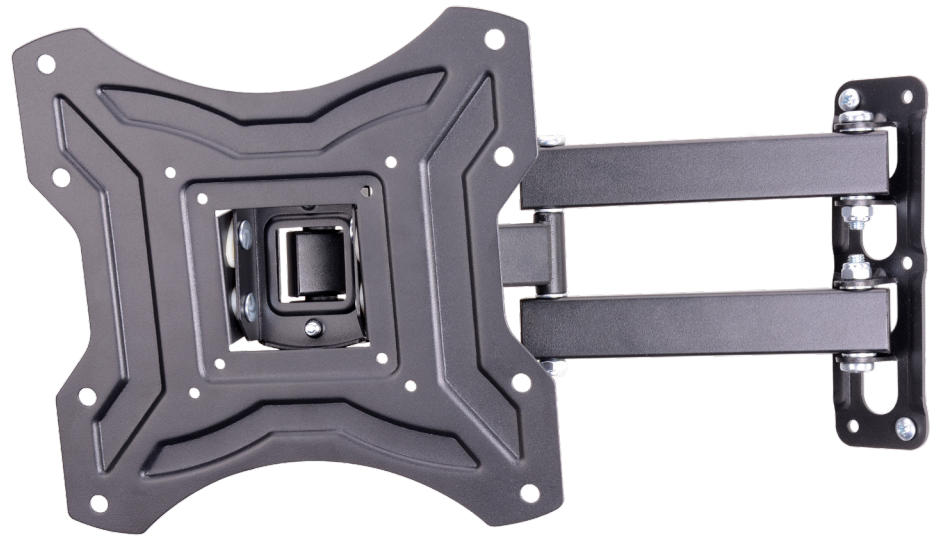
**23"-50"**   
58-127CM

  
**25KG**

**MAX.VESA**  
  
**200X200**

  
**-5°/+15°**

  
**-/+90°**



**Features:**

- Three arms for smooth and stable movement so you can see the TV from any angle
- Ideal for a media wall, or to place the screen in a corner to make the most of your space
- Tool-free adjustment in all directions, so you can instantly adjust the screen's position
- Shaped metal plate for extra strength to reliably support your screen
- Can be used to keep the TV away from children and pets
- Confidently mount your screen with a high 25kg maximum weight limit
- Suits 23" - 50" TVs, compatible with 75x75 - 200x200 VESA sizes
- Includes fixings for solid walls, stud walls and the TV, for convenience
- High quality steel construction with independent testing by SGS
- Reassurance of a 5 year warranty as standard

Full motion for total control of the TV's position, giving you a great view of the screen from any angle. Ideal for media walls and corners. The three arm design gives high strength, stability and ease of movement. Turns left or right (-/+90°) and tilts up or down (-5/+15%) with easy adjustment to get the perfect viewing angle and reduce glare. Extends outwards for easy access to cables and pushes back neatly against the wall. Features easy slide on installation: fit the metal plate to the TV and the wall mount to the wall. Simply lift and slide the TV onto the wall mount and then tighten the locking screw to secure it. Includes a cable strap for tidy cable management. Compatible with VESA sizes 75x75 - 200x200mm.

**Technical Specifications:**

Max Load	Distance from wall (Folded)	Distance from wall (Extended)	Swivel Range	Tilt Range	No of Articulation Points	Mounting Pattern	VESA Compatible
25Kg/ 55lbs	64mm/ 2.5"	308mm/ 12.1"	+/-90°	+15/-5°	4	Single Stud & Solid Wall	75x75 to 200x200



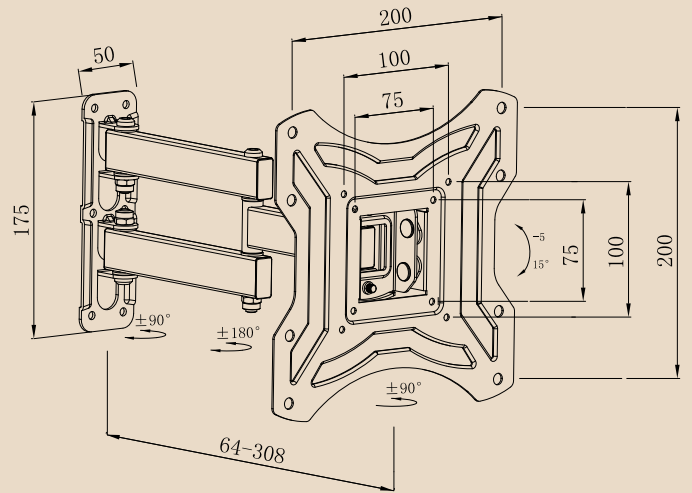


## DIMENSIONS & SPECIFICATIONS SHEET: LE2TA200-RO FULL MOTION TV WALL MOUNT

Packed image



Line drawing



All dimensions are in mm

### Packaging Information:

Product Number	Description	Product Packaging		Outer Packaging		
		Type	Barcode	Type	Qty in Box	Barcode
LE2TA200-RO	Full Motion TV Wall Mount	Colour Gift Box	5015056 538297	Brown Outer with Label	10	05015056 540474

### Weight & Dimensions:

Product			Product Box			Outer Box		
Extended	Folded	Net Weight	Dimensions	Gross Weight	Cubic	Dimensions	Gross Weight	Cubic
23 x 23 x 30.8 cm	24.5 x 23 x 6.4 cm	1.53kg	24 x 25.5 x 7 cm	1.75kg	0.0043m <sup>3</sup>	39.5 x 39 x 50 cm	18.61kg	0.077m <sup>3</sup>
9.06" x 9.06" x 12.13"	9.65" x 9.06" x 2.52"	3.37lbs	9.45" x 10.04" x 2.76"	3.86lbs	0.1513ft <sup>3</sup>	15.55" x 15.35" x 19.69"	41.03lbs	2.7201ft <sup>3</sup>