




**TECHNICAL DATA SHEET: LE2ST200-RO
TILT & TURN TV WALL MOUNT**

23"-50" 
58-127CM


25KG

MAX.VESA

200X200


-5°/+15°


-/+10°



Features:

- Tilt and Turn adjustment with just your fingertips to reduce glare, no tools required
- Compact design to save space in your room, just 55mm (2.2") deep
- Slide on installation makes mounting the TV simpler and faster
- Shaped metal plate for extra strength to reliably support your screen
- Can be used to keep the screen away from children and pets
- Confidently mount your screen with a high 25kg maximum weight limit
- Suits 23" - 50" TVs, compatible with 75x75 - 200x200 VESA sizes
- Includes fixings for solid walls, stud walls and the TV, for convenience
- High quality steel construction with independent testing by SGS
- Reassurance of a 5 year warranty as standard

Gives an attractive modern appearance and saves space in your room. It is easily adjusted so you can watch in comfort and avoid glare, with fingertip control of both the tilt angle (-5/+15°) and turn angle (-/+10°). Tilting the screen also gives easier access to cables, so you can quickly connect new devices. The mount has two parts for easy slide on installation: fit one part to the wall and the second to the TV, then simply lift and slide the TV onto the wall mount. Compatible with VESA sizes 75x75 - 200x200mm.

Technical Specifications:

Max Load	Distance from wall (Folded)	Distance from wall (Extended)	Swivel Range	Tilt Range	No of Articulation Points	Mounting Pattern	VESA Compatible
25Kg/ 55lbs	55mm/ 2.2"	n/a n/a	+/-10°	+15/-5°	2	Single Stud & Solid Wall	75x75 to 200x200



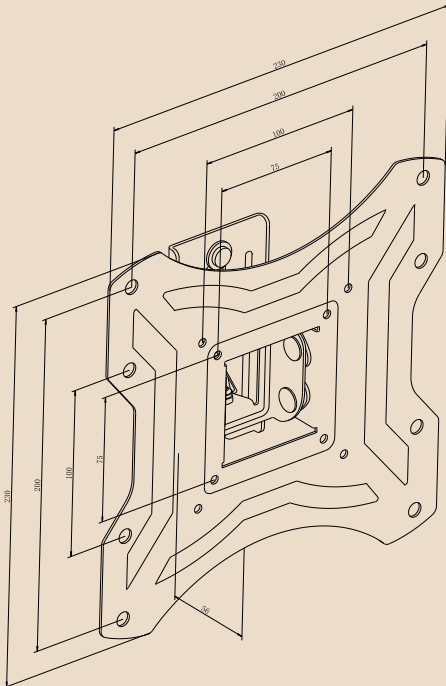


DIMENSIONS & SPECIFICATIONS SHEET: LE2ST200-RO TILT & TURN TV WALL MOUNT

Packed image



Line drawing



All dimensions are in mm

Packaging Information:

Product Number	Description	Product Packaging		Outer Packaging		
		Type	Barcode	Type	Qty in Box	Barcode
LE2ST200-RO	Turn & Tilt TV Wall Mount	Colour Gift Box	5015056 538259	Brown Outer with Label	10	05015056 540436

Weight & Dimensions:

Product			Product Box			Outer Box		
Extended	Folded	Net Weight	Dimensions	Gross Weight	Cubic	Dimensions	Gross Weight	Cubic
23 x 23 x 5.5 cm	n/a	0.84kg	24 x 24 x 5.5 cm	1.06kg	0.0032m ³	27 x 33 x 48.5 cm	11.38kg	0.0432m ³
9.06" x 9.06" x 2.17"	n/a	1.85lbs	9.45" x 9.45" x 2.17"	2.34lbs	0.1119ft ³	10.63" x 12.99" x 19.09"	25.09lbs	1.5261ft ³