

## Datasheet

### DOOR AUTOMATION/ DWSR-102U, Universal arm

#### Product description

The DIGIWAY SR offers high quality and high performance door automation, assisted by a chain driven spring mechanism. The satin anodised aluminium finish gives further aesthetic looks.

DIGIWAY is an up-to-date door automation solution, with a LCD programming display, counting a vast selection of advanced settings to suit your installation. Now includes the new arm (DWAA), giving more installation flexibility including installation to thicker walls for outward opening doors.

Suitable for people with reduced mobility, the SR is ideal for high traffic sites such as front doors or commercial sites.

#### Key features


- Heavy duty door operator
- 60 minutes fire rated - EN1634-1
- Semi-automatic (spring return) & Fully automatic (motor return)
- Built in programmer & receiver
- Universal arm included
- Bluetooth plug-in for programming via smartphone app



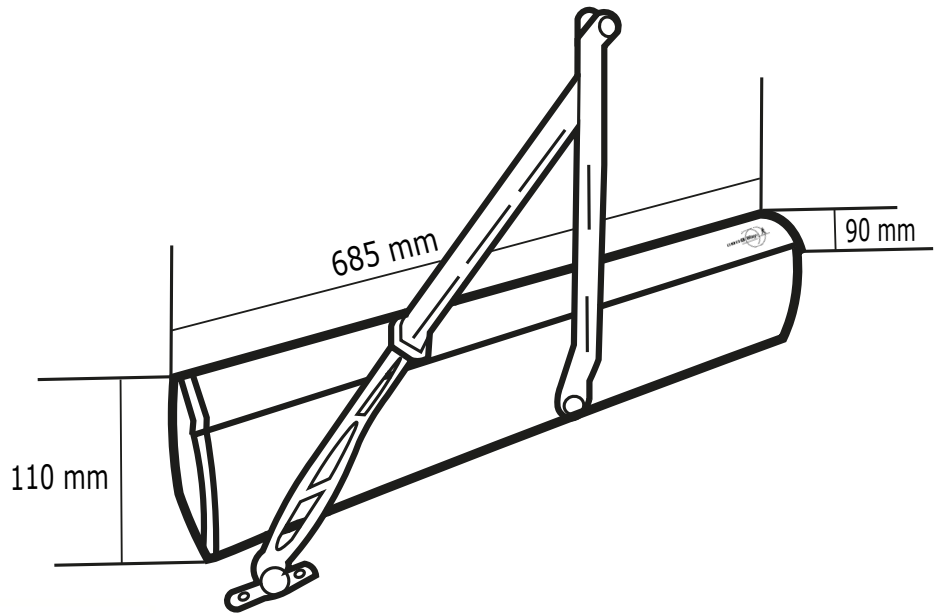
 *Certification*

 *DEEE*

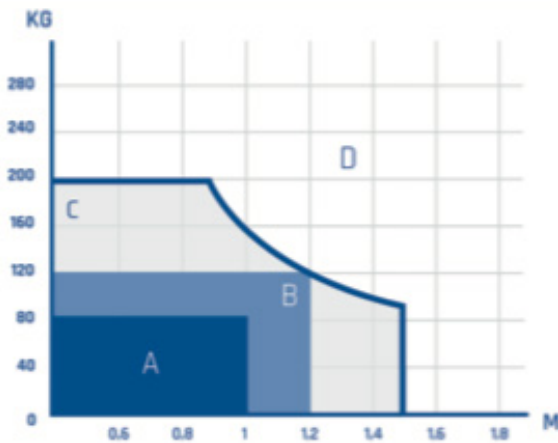
**RoHS** *Certification*

 *-10°C to 55°C*

All the information contained within this document (pictures, drawing, features, dimensions, specifications), could be perceptibly different and can be changed without prior notice. - April 2020 - CDVI\_DWSR-102U\_DS\_03\_EN\_A4\_C



## Usage



- Zone A:** Very intensive use (600 cycles/day)
- Zone B:** Intensive use (200-300 cycles/day)
- Zone C:** Use with reduced speed
- Zone D:** Do not use

## Product Information

**Material:** Satin anodised aluminium (SAA)

**Transmitter Memory:** 50

**Transmitter Encoding:** Keeloq® Hopping Code

## Electrical Specifications

**Power supply:** 230Vac, 50Hz

**Power for auxiliary devices:** 12Vdc / 500mA (max)

**Power for electrolock:** 12Vdc / 1A (max) or 24Vdc / 0.5A (max)

**Max current:** 100W