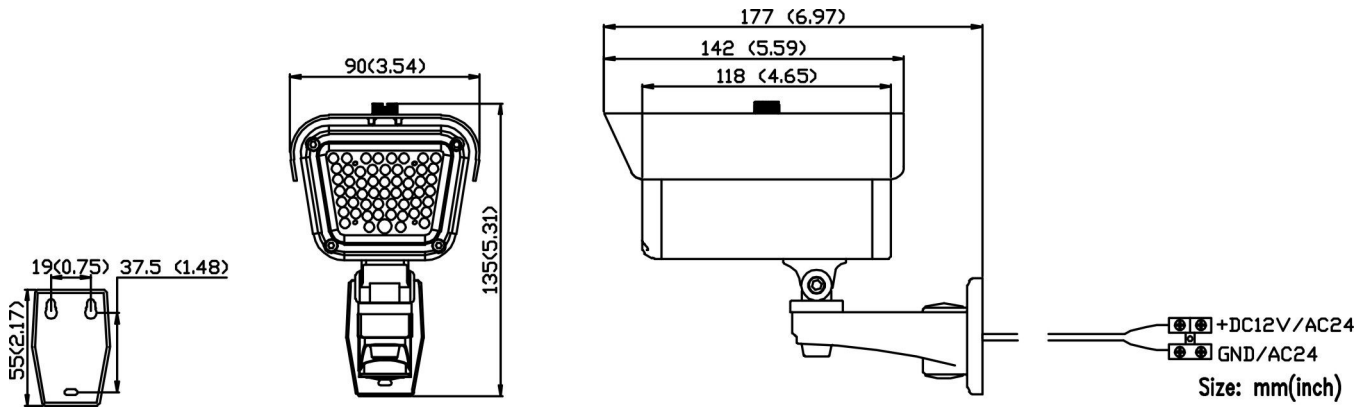


# INFRARED LED ILLUMINATOR

● ITEM NO.: 15-IL02



● FEATURES

1. IP66 aluminum fashion housing
2. Build-in **55 PCs IR LED**
3. IR Effect Degree is 60°(Outdoor)
4. IR Effect Distance is **55M (180.3ft) (Outdoor)**
5. Dual power :DC12V/AC24V

● PACKING

- |                           |     |
|---------------------------|-----|
| 1. Illuminator            | X 1 |
| 2. User Manual            | X 1 |
| 3. Hexagonal Wrench       | X1  |
| 4. Screw                  | X3  |
| 5. Plastic-Conical-Anchor | X3  |
| 6. Mounting drawing paper | X1  |

● SPECIFICATIONS

ITEM	15-IL02
IP Rating	IP66
Type	Outdoor
Luminaire	850nm IR
Angle	60°(Outdoor)
Emissive Power	8.8W
Outdoor Distance	<b>55M (180.3ft) (Outdoor)</b>
Control	<b>CDS/10Lux</b>
Power supply	DC12V±10%/AC24V±10%
Current Consumption	<b>DC410mA/ AC320mA(MAX)</b>
Dimension	<b>177×90×135mm(6.97"×3.54"× 5.31")</b>
Weight	<b>750g (26.5oz)</b>
Storage Temperature	-30~+60℃ (-22~+140°F)
Operating Temperature	-30~+40℃ (-22~+104°F)